

WALLCART STATIONARY WALL FILTER



FILTERS POLLUTION AIR STRAIGHT FROM THE WORKPLACE

- Wallcart is a complete Filter Extraction system for mounting directly on the wall
- Disposable long life filter cartridge
- Solve your fume and filter problems, simple and quick installation
- 40 m² filtersurface in our basic filter unit, keeps the filter cost to a minimum
- The filter is easily changed without any tools
- Wallcart can easily be attached to existing extraction system
- When it is permitted to recirculate filtered air back to premises, significant energy savings can be made
- Wallcart is a very small investment but a huge contribute to a good environment in the future. No excuses for none filtered pollution.

Capture at Source

Filtered welding smoke and dust. Save energy and protect the environment!

Wallcart – filters waste air straight from the work place.



Nederman Wallcart is an ingeniously simple and good-value filter for suction at special work places. Wallcart which is based on Nederman's well-tested filter technology, has flexible connections for suction and fans/ventilation channels.

Mount Wallcart on walls in combination with Nederman's range of extractor arms/fans.

Supplement your existing plant

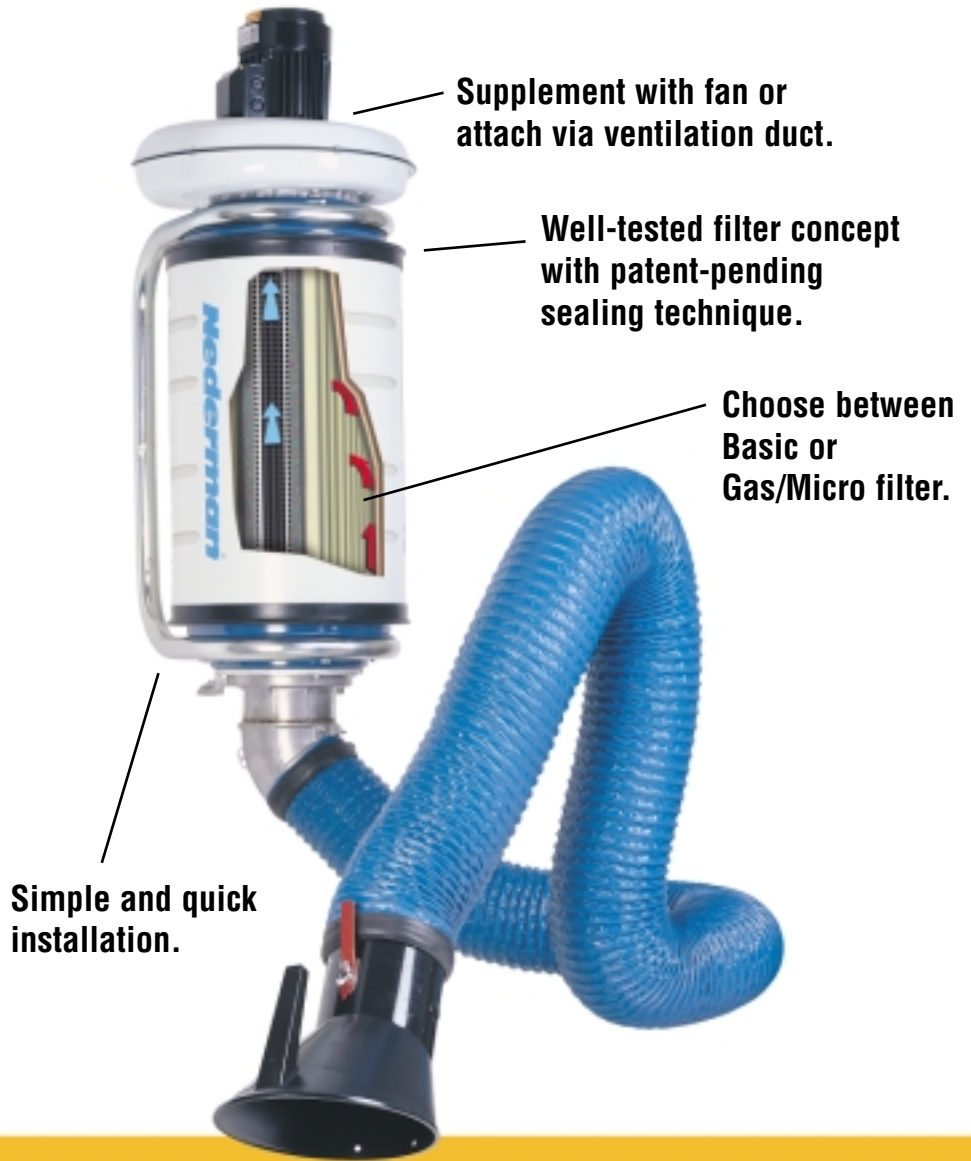
Wallcart can be easily attached to existing extractor systems regardless of manufacturer.

Save energy

When it is permitted to re-circulate filtered air back into the premises, significant energy savings can be made.

Protect the environment

If it is not possible to re-circulate, the extraction air should be cleansed before it leaves the premises. Wallcart is a small investment but a huge contribution to a good environment in the future.



Two filters – simple to change



Basic

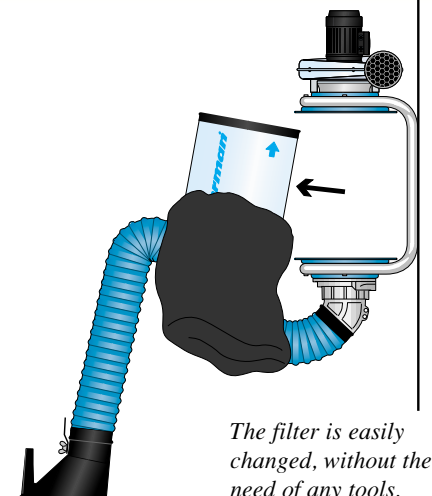
Cellulose filter with a filter area of 40 m².
Cat. C as per BIA



Gas/Micro

Two-stage filter with chemical and physical adsorption. Filters most types of gases that arise when welding.

Particles: >99,97% DOP, 0,3 um



The filter is easily changed, without the need of any tools.

Wallcart is suitable for the majority of work places!

3-metre Nederman 5000 is mounted on Wallcart. 4 and 5 metres are attached via wall bracket.



Low ceiling height? Turn Wallcart around and choose a 4-metre horizontal Nederman Original arm. The fan can be upside-down.



Complete units



Wallcart, a complete filter unit placed on the wall.

A package consists of:

- Fan N24
- Arm Original 2m alt. Arm 4mH
- Light package
- Control box incl. transformer and motor protector + on/off switch
- Filter unit 40 m²

Technical data

Model designations

Wallcart Basic Part no. 600144
 Wallcart Gas/Micro Part no. 600344

Replacement filters

Basic, 40 m² Part no. 600711
 Gas/Micro, 9 m² Part no. 600911

Airflow

- with Basic filter 990 m³/h
 - with Gas/Micro filter 720 m³/h

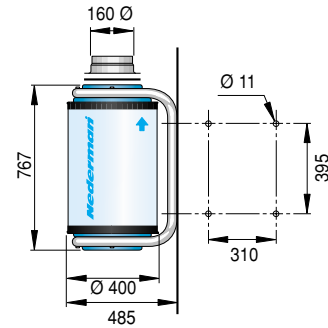
Pressure drop

Pressure drop with new filter model
 (Basic) 550 Pa at 1000 m³/h

Complete units

Part No.	Voltage	Phase	Arm
610144	120V/60Hz	1	2 m
610244	120V/60Hz	1	4 m H
610344	230-240V/50Hz	1	2 m
610444	230V/50Hz	1	4 m H
610544	400V/50Hz	3	2 m
610644	400-415V/50Hz	3	4 m H

Dimensions



Accessories

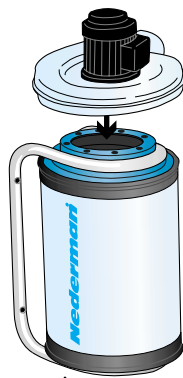


Control box

For complete installation of fan and spotlight.

Part no. 501637
 manual start/stop function button for fan

Part no. 511637
 automatic start/stop function for fan



Fans, N24

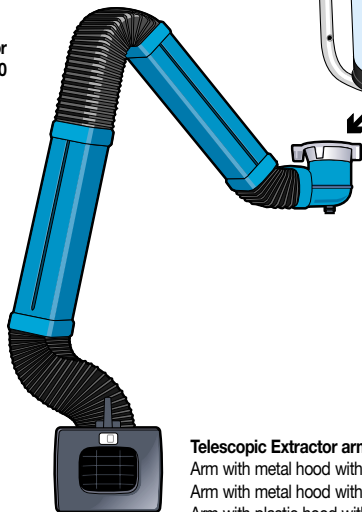
50 Hz, 100-120/200-240 V, 1~ Part no. 510122
 50 Hz, 200-240/380-420 V, 3~ Part no. 510422
 60 Hz, 115/230 V, 1~ Part no. 510222 (CSA)
 60 Hz, 208-230/460 V, 3~ Part no. 511022 (CSA)
 60 Hz, 200-240/380-420 V, 3~ Part no. 510522

Motor guard

Selected after fan type

Extractor arm 5000
 3 m

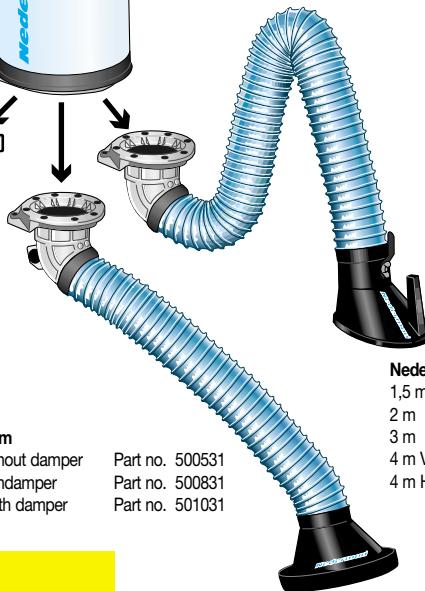
Part no. 500131



Telescopic Extractor arm

Arm with metal hood without damper Part no. 500531
 Arm with metal hood with damper Part no. 500831
 Arm with plastic hood with damper Part no. 501031

Part no. 500531
 Part no. 500831
 Part no. 501031



Nederman Original

1,5 m Part no. 522135
 2 m Part no. 522235
 3 m Part no. 522535
 4 m V Part no. 522335
 4 m H Part no. 522435

WARNING!

Risk of personal injury!

If the Wallcart is used to separate fumes that may be a health hazard such as beryllium, cadmium, lead or asbestos, in some countries the purified air may not be recycled in the workshop.

Risk of fire and explosion!

Do not use the Wallcart for inflammable or explosive dust/gases.

Net weight: Basic filter 22,6 kg, Gas/Micro filter 30,4 kg

Recyclability: 68%, for Basic filter

Nederman®

Improving your workspace

Manufacturer:

AB Ph. Nederman & Co

Sydhamnsgatan 2
 SE-252 28 Helsingborg, Sweden
 www.nederman.se

Tel.: Int. +46 42 18 87 00

Fax: Int. +46 42 14 79 71

E-mail: support@nederman.se



Right reserved for modification of design and measurements.

The majority of Nederman's products are manufactured within SS-EN ISO 9001 and ISO 14001-certified Quality- and Environmental system. For more detailed information please contact us.