

Portable Fans

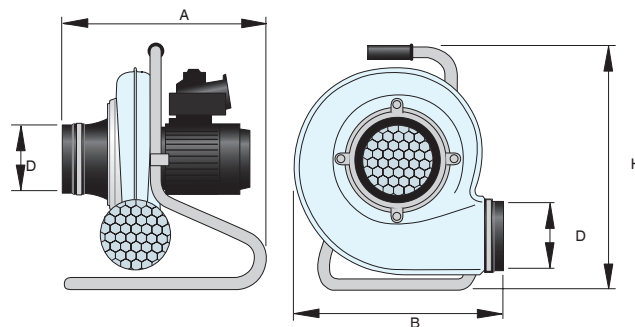


Nederman portable fan is a simple and powerful ventilation unit for service, repair and other temporary work. Ideal as an extractor for welding fumes, steam, dust or for providing fresh air during work in confined and enclosed spaces. A compact and easy to use fan which, in combination with inlet and outlet hoses, makes a flexible and versatile unit with a wide range of applications.

- Compact and easy to use
- Stand included, castor wheels as accessory
- On/off switch and motor protector included
- Simple and powerful

Fan	A	B	D	H
N16	430	484	Ø160	550
N24	430	484	Ø160	550

(mm)



Portable Fans

Model	*	Electric connection	Airflow, m ³ /h	Voltage, V	Frequency, Hz	Phase	Rated current, A	Power, kW	Connection Ø in/out, mm	Weight, kg	Part no.
N16	1	CEE 7/2 P+E 230 V	500-1200	220/240	50	1	8.7/4.35	0.55	160/160	15	14511321
N16	2	CEE 17/2 P+E 100 V	500-1200	110/120	50	1	8.7/4.35	0.55	160/160	15	14511921
N16	3	CEE 17/2 P+E 230 V	500-1200	220/240	50	1	8.7/4.35	0.55	160/160	15	14512221
N24	1	CEE 7/2 P+E 230V	500-1500	220/240	50	1	11/5.5	0.75	160/160	17	14511322
N24	2	CEE 17/2 P+E 100 V	500-1500	110/120	50	1	11/5.5	0.75	160/160	17	14511922
N24	3	CEE 17/2 P+E 230 V	500-1500	220/240	50	1	11/5.5	0.75	160/160	17	14512222

Portable Fan Kit (including fan, hoses, and nozzle)

Model	*	Electric connection	Voltage, V	Frequency, Hz	Phase	Rated current, A	Power, kW	Airflow, m ³ /h	Connection Ø in/out, mm	Weight, kg	Suction hose, m x mm	Exhaust hose, m x mm	Part no.
N16 System	1	CEE 7/2 P+E 230 V	220/240	50	1	8.7/4.35	0.55	500-1200	160/160	15	5 x 100	5 x 160	14230090
N16 System	3	CEE 17/2 P+E 230 V	220/240	50	1	8.7/4.35	0.55	500-1200	160/160	15	5 x 100	5 x 160	14230590
N24 System	1	CEE 7/2 P+E 230 V	220/240	50	1	11/5.5	0.75	500-1500	160/160	17	5 x 100	5 x 160	14230100
N24 System	3	CEE 17/2 P+E 230 V	220/240	50	1	11/5.5	0.75	500-1500	160/160	17	5 x 100	5 x 160	14230600



* Electric connection

Product availability may differ by country