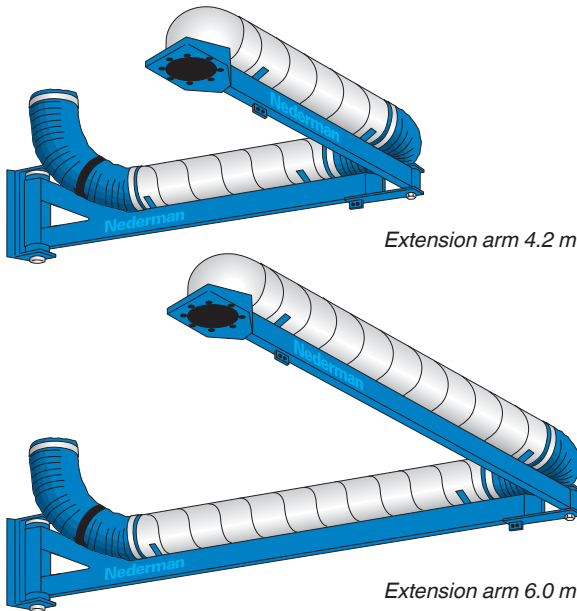


Technical Description

Extension arm - 4.2m and 6.0m



General Description

The extension arms are designed to be used when extra reach is needed, this in combination with fume and dust extraction arms and exhaust extraction equipment for cars and trucks.

The extension arms are manufactured with robust steel profiles and treated with powder paint to resist a corrosive environment.

They are designed to be mounted on a wall, a pillar or similar in a horizontal position. The extension arms are suspended by a pivoting wall bracket and equipped with a joint in the middle of the arm.

At the end the arms have a universal mounting flange which fits direct to the extractions arm, or a single or a twin exhaust extraction equipment or, in combination with a special bracket; an exhaust hose reel.

Duct System

The duct system consists of a combination of hoses and metal ducts and depending on the application there are two options for this, fume or exhaust.

The duct systems must be ordered separately.

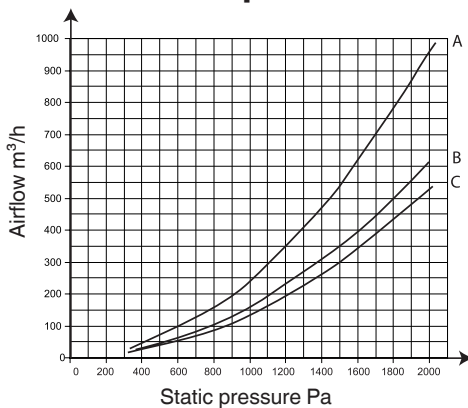
The duct system of the extension arm can be connected direct to a separate fan or to a duct in combination with a central fan.

Other

It is possible to support other products to the extension arm such as welding machines, hose and cable reels, or similar.

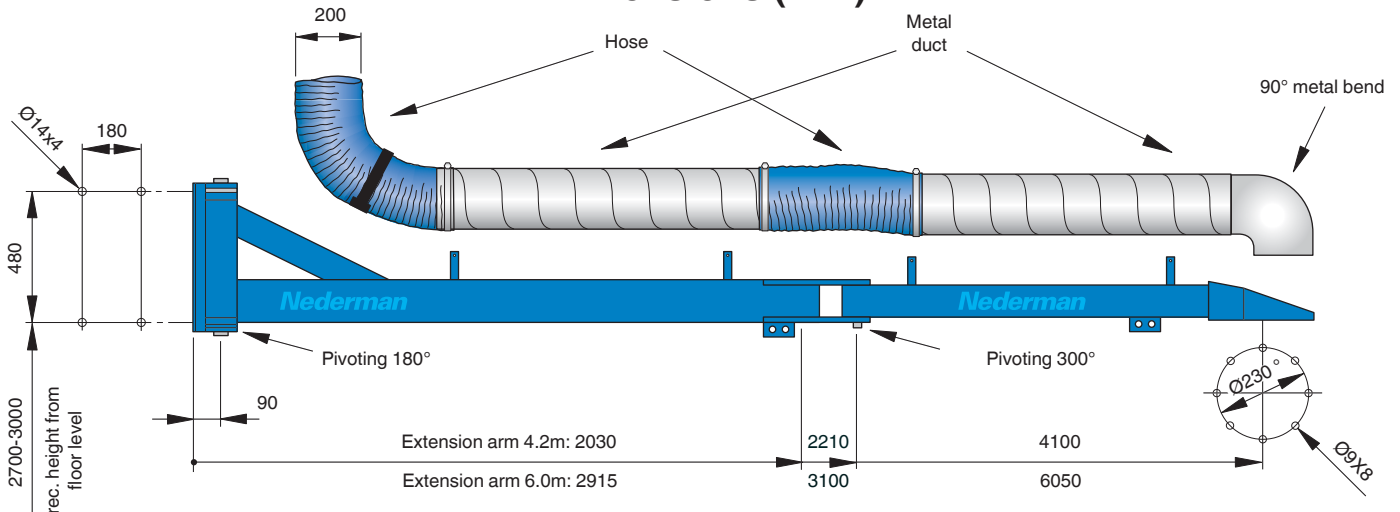
All arm parts are treated with Nederman blue colour, except for the metal ducts which are galvanized.

Pressure drop



- A: Extension arm bent 40° (to its limit).
- B: Extension arm bent 90°.
- C Extension arm is straight.

Dimensions (mm)



Main product and accessories

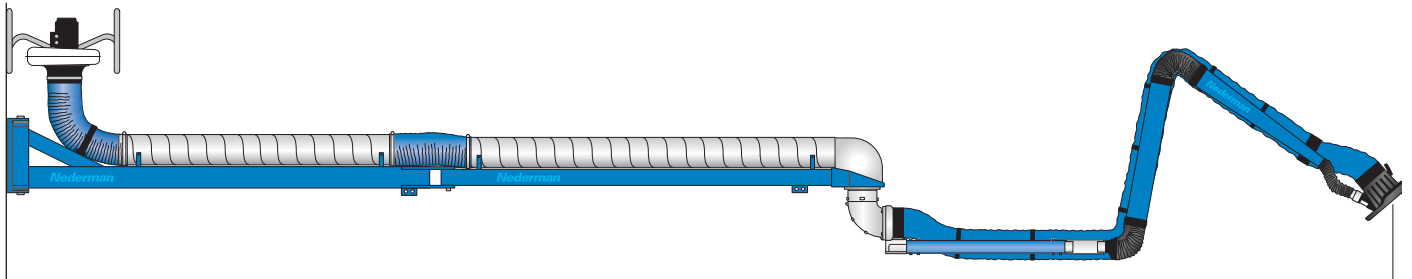
Description	Weight	Max temp of extracted air	Materials	Recovery rate by weight	Part no
Extension Arm 4.2 m	73 kg	-	Powder painted steel	100%	10506635
Duct kit 4.2 m, fume	8 kg	70°C	Galvanized steel duct, PVC coated Polyester hose	92%	10374376
Duct kit 4.2 m, exhaust	12kg	150°C	Galvanized steel duct, NR-B hose	57%	10374375
Extension Arm 6.0 m	93 kg	-	Powder painted steel	100%	10507735
Duct kit 6.0 m, fume	13 kg	70°C	Galvanized steel duct, PVC coated Polyester hose	95%	10374360
Duct kit 6.0 m, exhaust	17 kg	150°C	Galvanized steel duct, NR-B hose	71%	10374374
Cable for light kit L = 7.7m	-	-	-	-	10345292
Suspension for Exhaust Hose Reel	2 kg	-	Powder painted steel	100%	20374358

Technical specification	
Recommended airflows	600 - 2000 m ³ /h
Recommended maximum negative pressure	3000 pa
Connection diameter:	200 mm
Maximum load on outer arm 4,2 m	100 kg
Maximum load on outer arm 6,0 m	60 kg

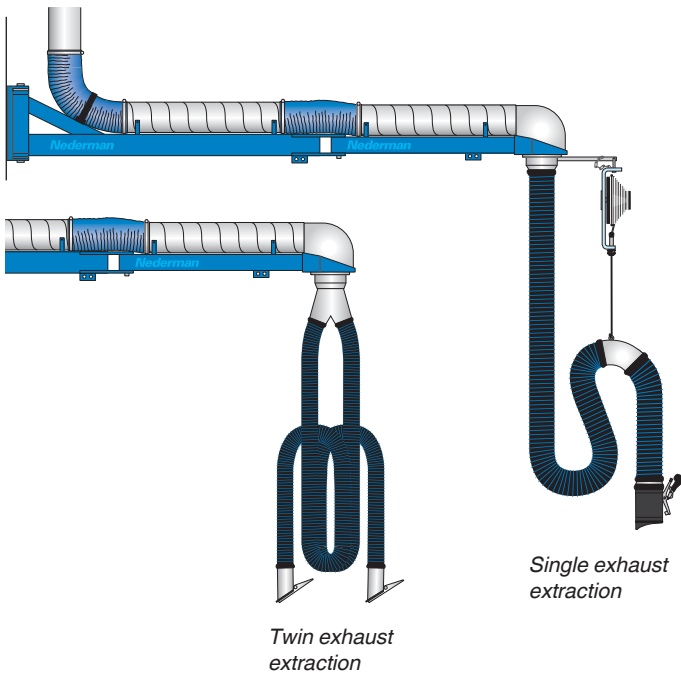
Recommended additional equipment	
Original extraction arms	Maximum 4 m
NEX MD extraction arms	Maximum 4 m
NEX HD extraction arms	Maximum 4 m
Single and Twin exhaust equipment	All models
Exhaust Hose reels	All models

Range of applications

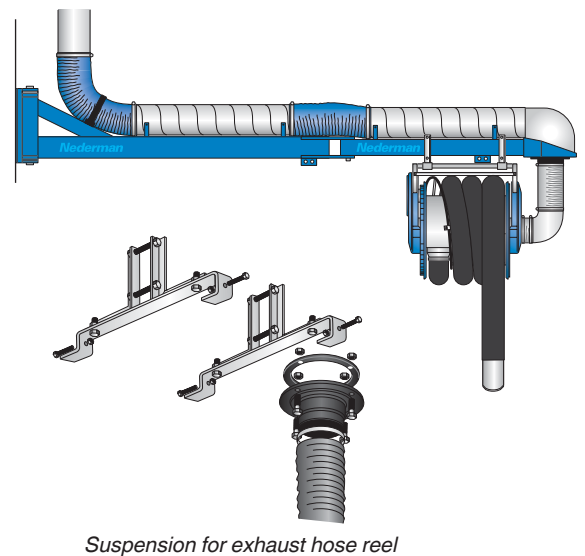
Extension arm with extraction arm



Extension arm with single and twin exhaust extraction



Extension arm with exhaust hose reel



Suspension for exhaust hose reel