

Operating manual

Tx 2000



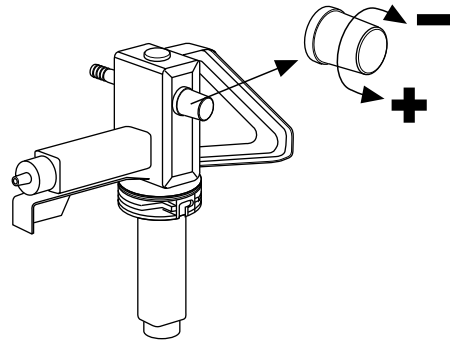
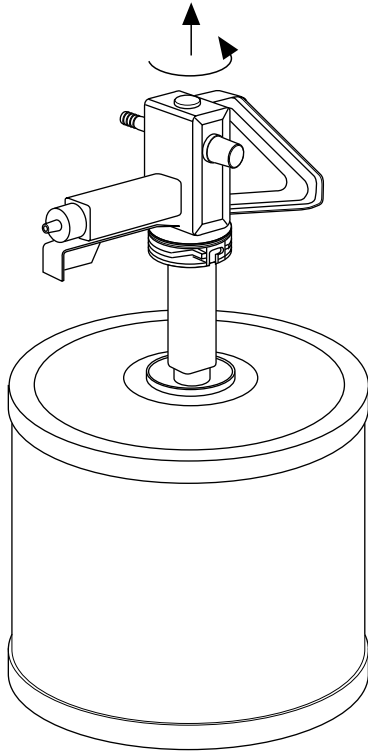
m = 1,8 kg



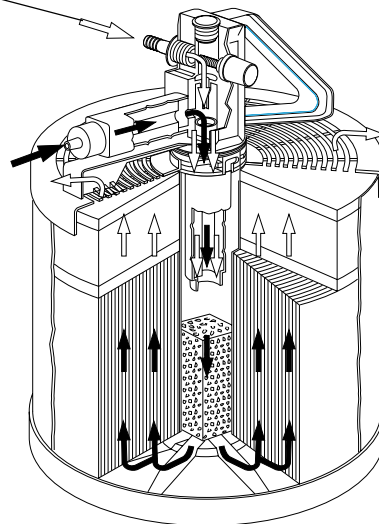
= 42 dB (A)



p = 300 - 800 kPa



Maximum: 800 kPa



371511

371598

371511

371507

Order instruction

When ordering spare parts always state:

- Part no. and control no. (from the type label of the product).
- Part no. of the spare part and the name.
- Quantity of the parts required.